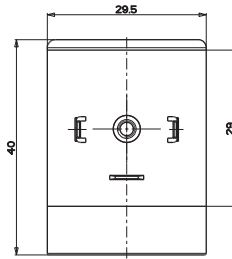
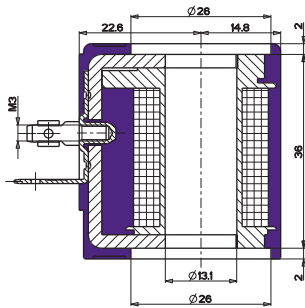


# EVI 5M/13

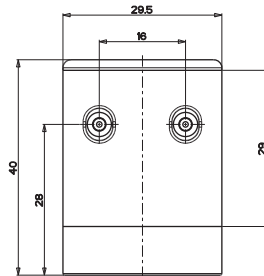
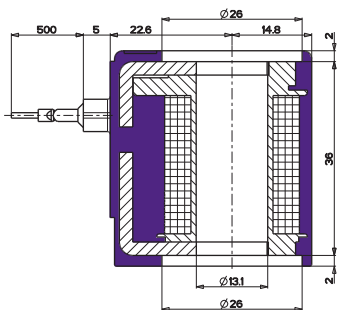
DIN 43650 A (EN 175301-803 ISO 4400)

M3 Torque 0,4+0,6Nm



## FLYING LEADS

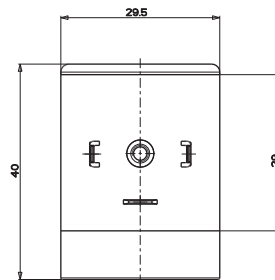
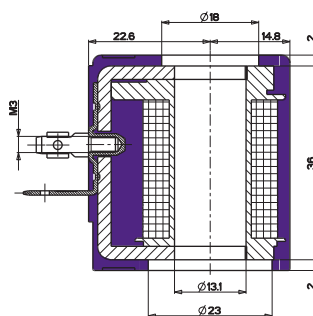
500 mm flying leads as a standard, PVC 105°C  $\varnothing 2.25$



# EVI 5E/13

DIN 43650 A (EN 175301-803 ISO 4400)

M3 Torque 0,4+0,6Nm



## FLYING LEADS

500 mm flying leads as a standard, PVC 105°C  $\varnothing 2.25$

