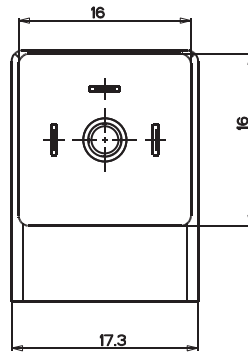
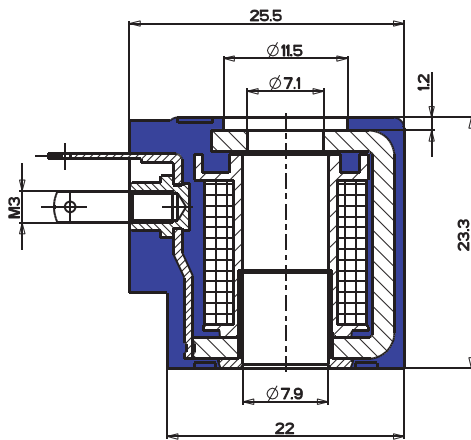


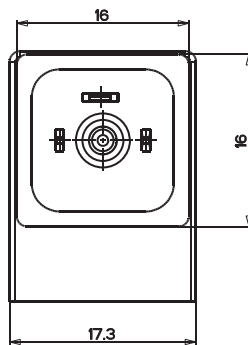
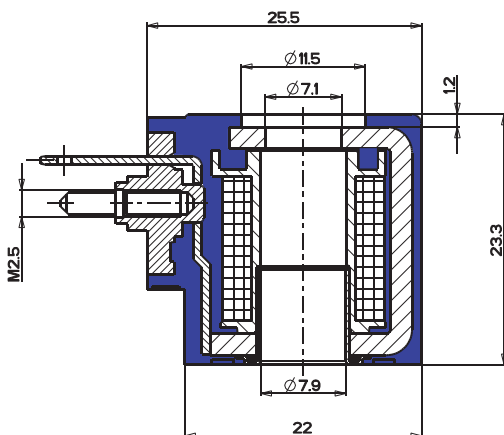
## EVI 9 AMP 2.8 x 0.5

M3 Torque 0.4 + 0.6 Nm



## EVI 9 DIN 43650-C(EN 175301-803 ISO 4400)

M2.5 Torque 0.4 + 0.6 Nm



## EVI 9 Flying Leads

500 mm flying leads as a standard, AWG 24

